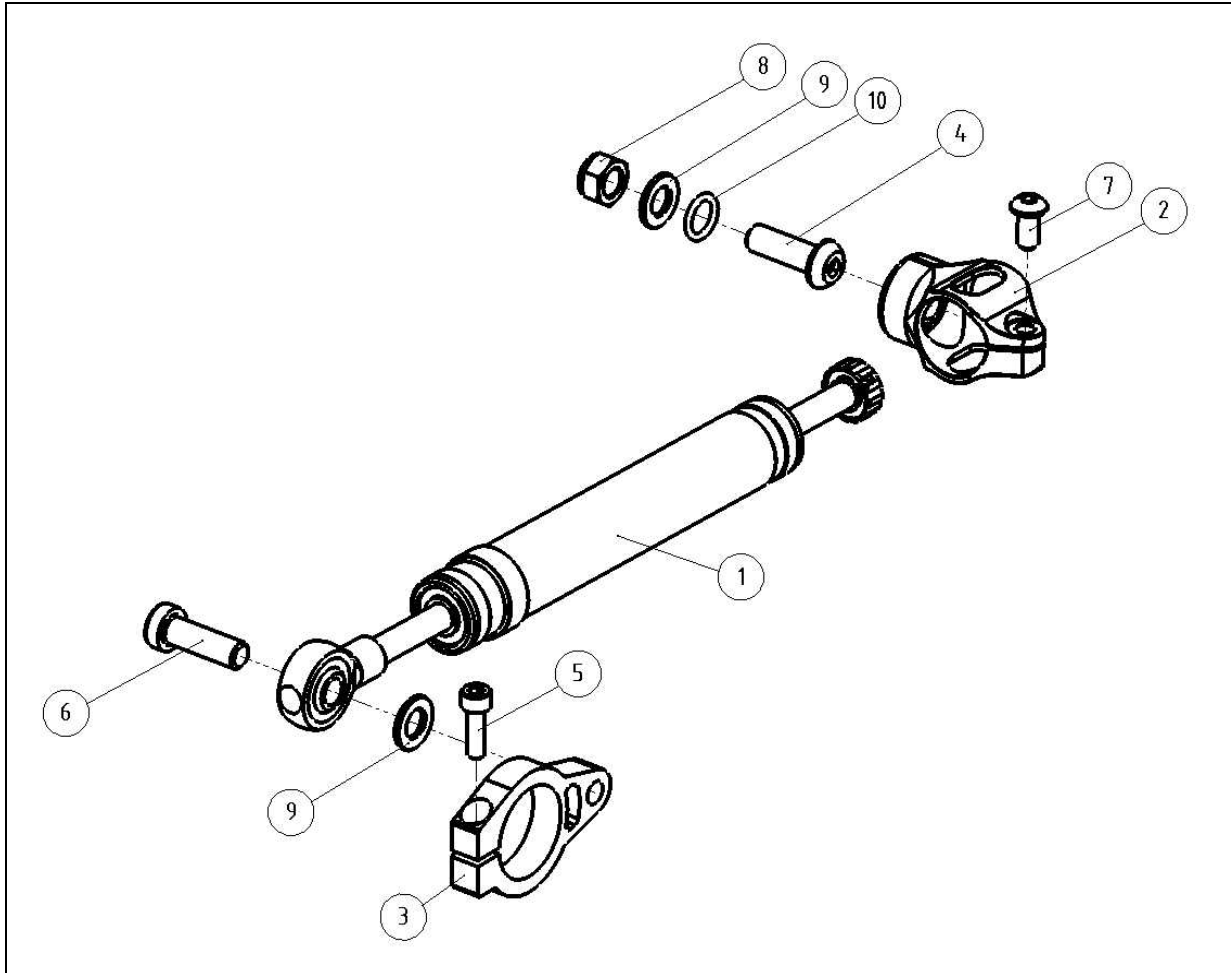




# ASSEMBLING INSTRUCTIONS

## STEERING DUMPER – TOBY 15C65

MIDIBIKE: ORIGAMI B1



PART OF ASSEMBLING SET:

Position	Part of assembly	Number of parts	Stock code number	Tightening moment
1	Steering dumper - TOBY 15C65	1	339.030.65	-
2	Body holder of steering dumper – complete	1	339.030.65	-
3	Holder of steering dumper	1	335.040.01	-
4	Screw M8 x 25	1	916.171.01	18 N.m
5	Screw M5 x 16	1	914.001.01	9 N.m
6	Screw M8 x 25	1	914.700.01	15 N.m
7	Screw M6 x 12	1	916.012.01	10 N.m
8	Stop nut M8	1	920.010.01	18 N.m
9	Washer 8.4	2	930.004.01	-
10	O - ring 10 x 2	1	971.160.00	-

## DESCRIPTION OF ASSEMBLING:

In the first step tighten *Body holder of steering dumper – complete* ( **2** ) to the frame of the midi bike (fig.1). Slide on the *Holder of steering dumper* ( **3** ) on the right fork so the head of the *Screw M5 x 16* ( **5** ) point in front of the midi bike and the tighten window point in the central point of steering (fig.2). The distance between bottom solid of the *Holder of steering dumper* ( **3** ) and top solid of the bottom crown handle is approximately 37mm (fig.2). Slide the *Steering dumper - TOBY 15C65* ( **1** ) into the *Body holder of steering dumper – complete* ( **2** ) from the front side of the midi bike. By the *Screw M8 x 25* ( **6** ) tighten *Steering dumper - TOBY 15C65* ( **1** ) inside the *Holder of steering dumper* ( **3** ) (fig.3). When You are turning of the steering to straight direction adjust position the body of the *Steering dumper – TOBY 15C65* ( **1** ) in the *Body holder of steering dumper – complete* ( **2** ) so both of extreme position of the steering wasn't limited by moving of the piston rod of the steering dumper and by *Screw M6 x 12* ( **7** ) fix the position the body of the *Steering dumper – TOBY 15C65* ( **1** ) in the *Body holder of steering dumper – complete* ( **2** ) (fig.4). By turning the steering to the both of the extreme position testing, if isn't part of the *Steering dumper – TOBY 15C65* ( **1** ) in contact with part of the frame of the midi bike (fig.4). Using tightening moments–(in the tab.)

## ASSEMBLING PHOTOS:



fig.1

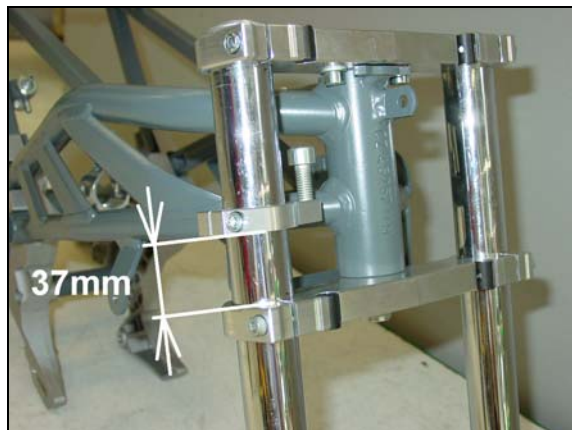


fig.2



fig.3



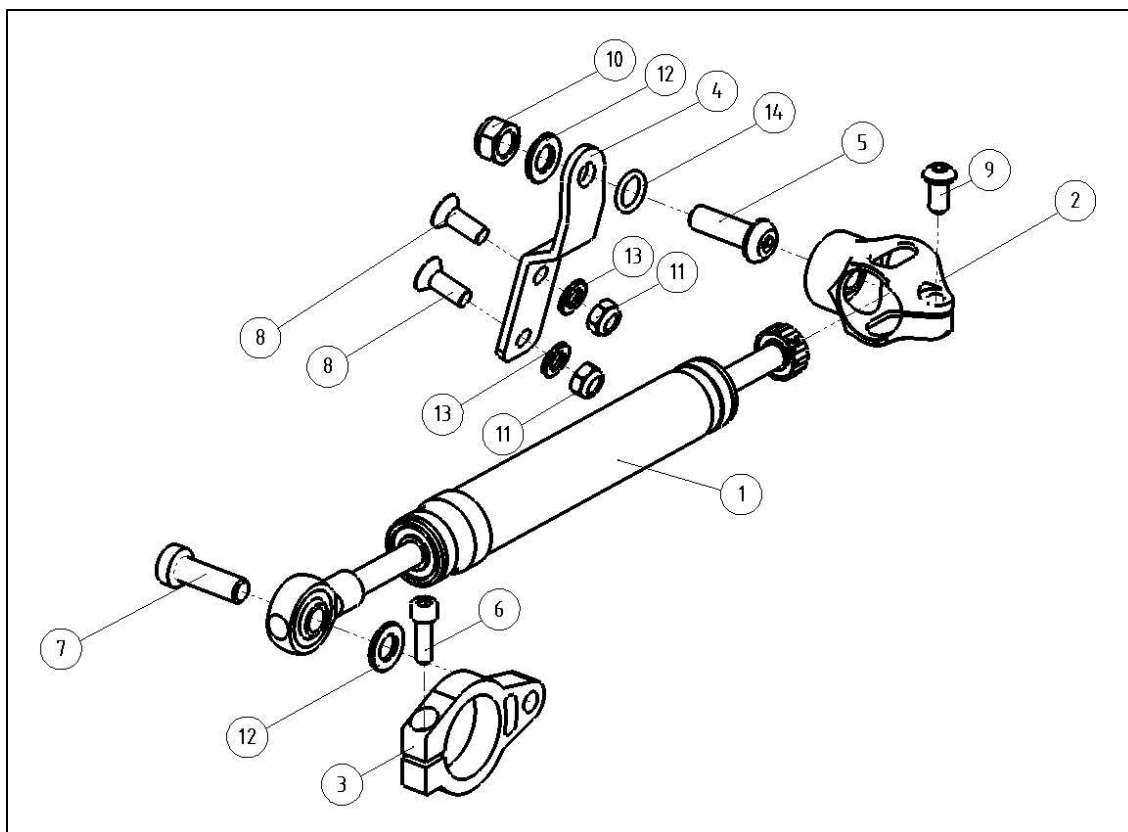
fig.4



# ASSEMBLING INSTRUCTIONS

## STEERING DUMPER – TOBY 15C65

MINIBIKE: ELITE13, ELITE 14



PART OF ASSEMBLING SET:

Position	Part of assembly	Number of parts	Stock code number	Tightening moment
1	Steering dumper - TOBY 15C65	1	339.030.65	-
2	Body holder of steering dumper – complete	1	339.030.65	-
3	Holder of steering dumper	1	335.040.01	-
4	Sheet holder of steering dumper – WRS	1	331.048.00	-
5	Screw M8 x 25	1	916.171.01	18 N.m
6	Screw M5 x 16	1	914.001.01	9 N.m
7	Screw M8 x 25	1	914.700.01	15 N.m
8	Screw M6 x 16	2	912.070.01	12 N.m
9	Screw M6 x 12	1	916.012.01	10 N.m
10	Stop nut M8	1	920.010.01	18 N.m
11	Stop nut M6	2	920.009.01	12 N.m
12	Washer 8.4	2	930.004.01	-
13	Washer 6.4	2	930.002.01	-
14	O - ring 10 x 2	1	971.160.00	-

## DESCRIPTION OF ASSEMBLING:

Before assembling of the *Steering dumper – TOBY 15C65* (1) drill the trough hole with countersink to rear cross sheet of frame of pocket bike for the Screws M6 x 16 (8) by (fig.1) Bolt the *Sheet holder of steering dumper – WRS* (4) on the rear cross sheet of the frame of the pocket bike. In the next step fasten the *Body holder of steering dumper – complete* (2) on the *Sheet holder of steering dumper – WRS* (4) (fig.3). Slide on the *Holder of steering dumper* (3) on the left fork so the head of the *Screw M5 x 16* (6) point to the left side of the pocket bike and the tighten window point to back from the pocket bike (fig.4). The distance between bottom solid of the *Holder of steering dumper* (3) and top solid of the bottom crown handle is approximately 30mm (fig.2). Slide the *Steering dumper - TOBY 15C65* (1) into the *Body holder of steering dumper – complete* (2) from the front side of the pocket bike. By the Screw *M8 x 25* (7) tighten *Steering dumper - TOBY 15C65* (1) inside the *Holder of steering dumper* (3) (fig.4). When, You are turning of the steering to straight direction adjust position the body of the *Steering dumper – TOBY 15C65* (1) in the *Body holder of steering dumper – complete* (2) so both of extreme positions of the steering wasn't limited by moving of the piston rod of the steering dumper and by Screw *M6 x 12* (9) fix the position the body of the *Steering dumper – TOBY 15C65* (1) in the *Body holder of steering dumper – complete* (2). By turning the steering to the both of the extreme position testing, if isn't part of the *Steering dumper – TOBY 15C65* (1) in contact with part of the frame of the pocket bike (fig.5). Using tightening moments – ( in the tab.)

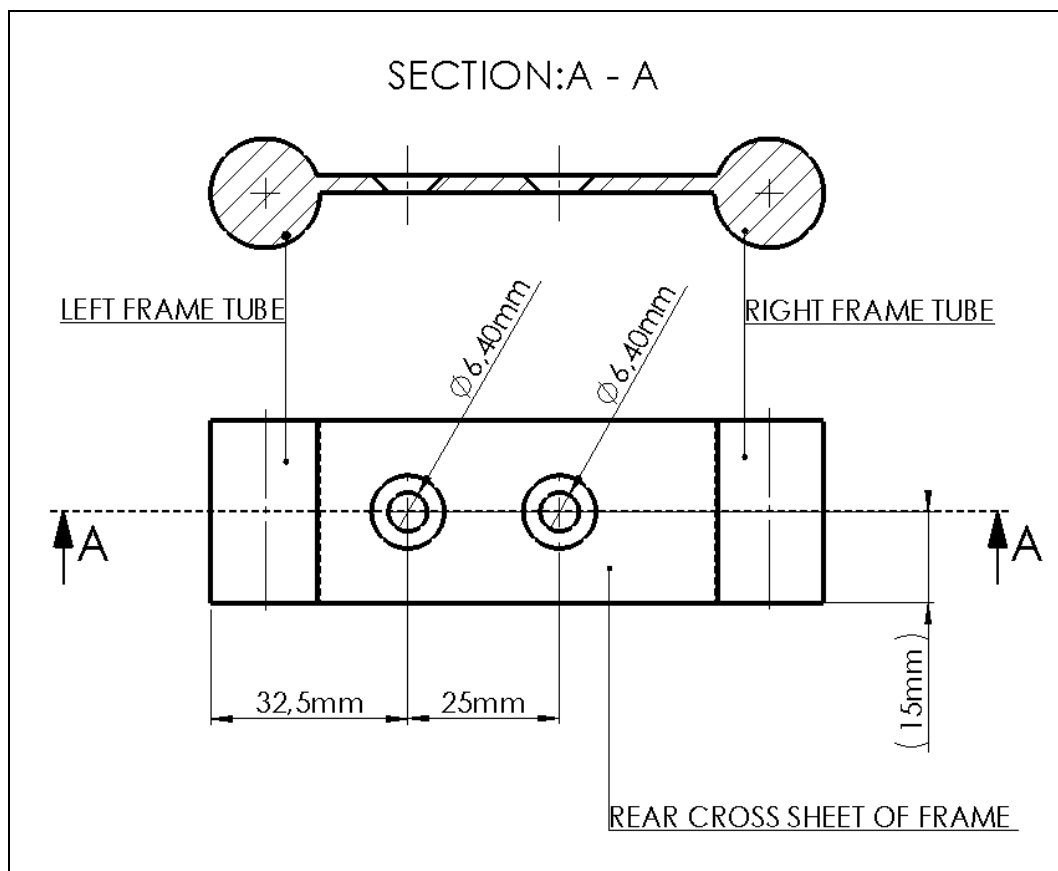


fig.1



**ASSEMBLING PHOTOS:**

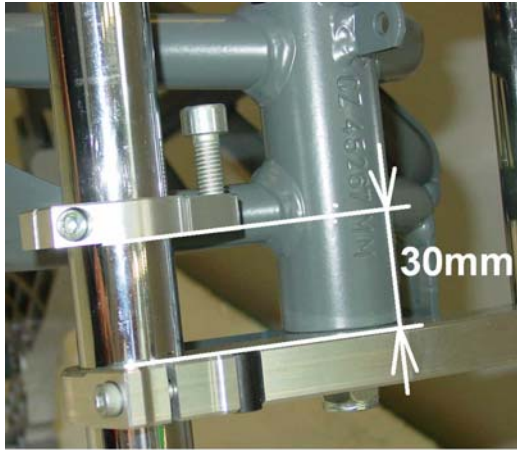


fig.2

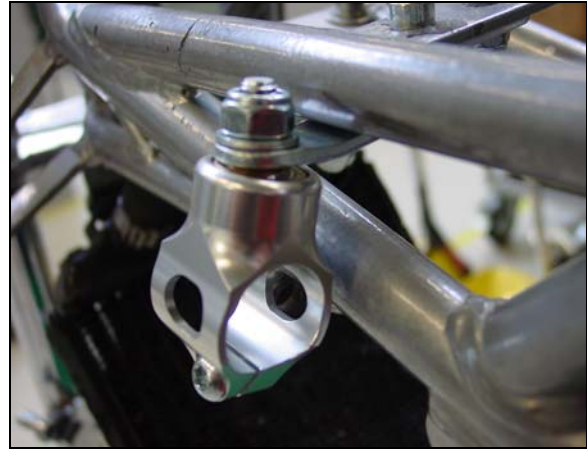


fig.3

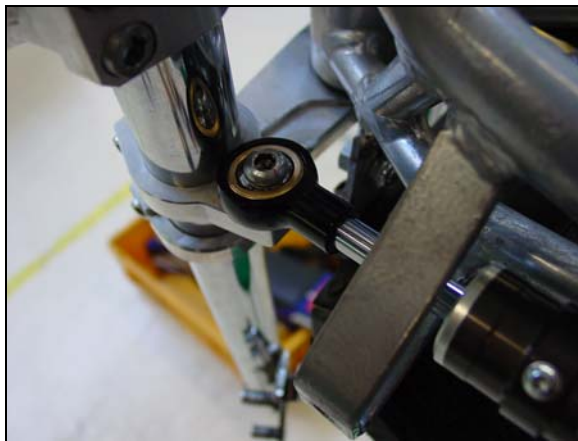


fig.4

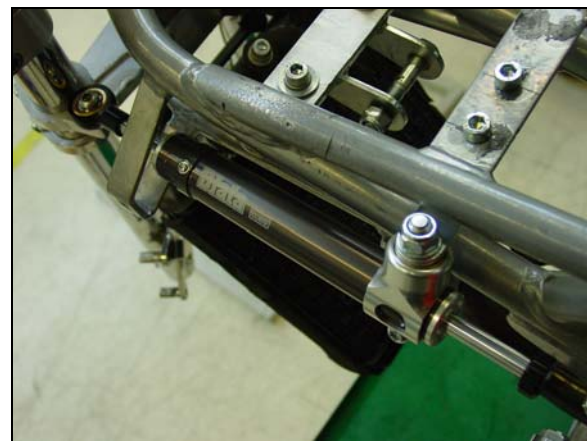


fig.5