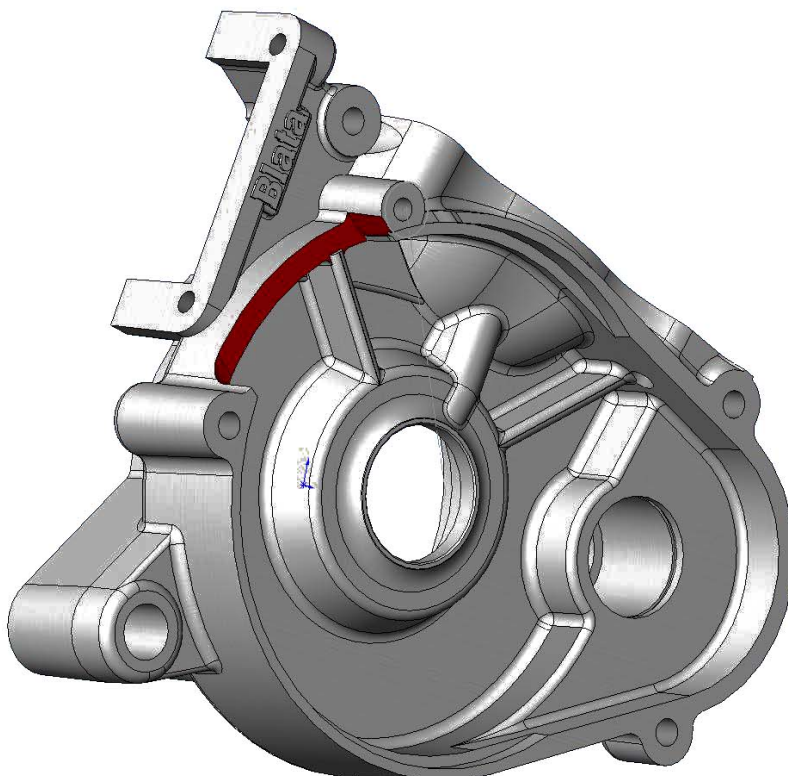
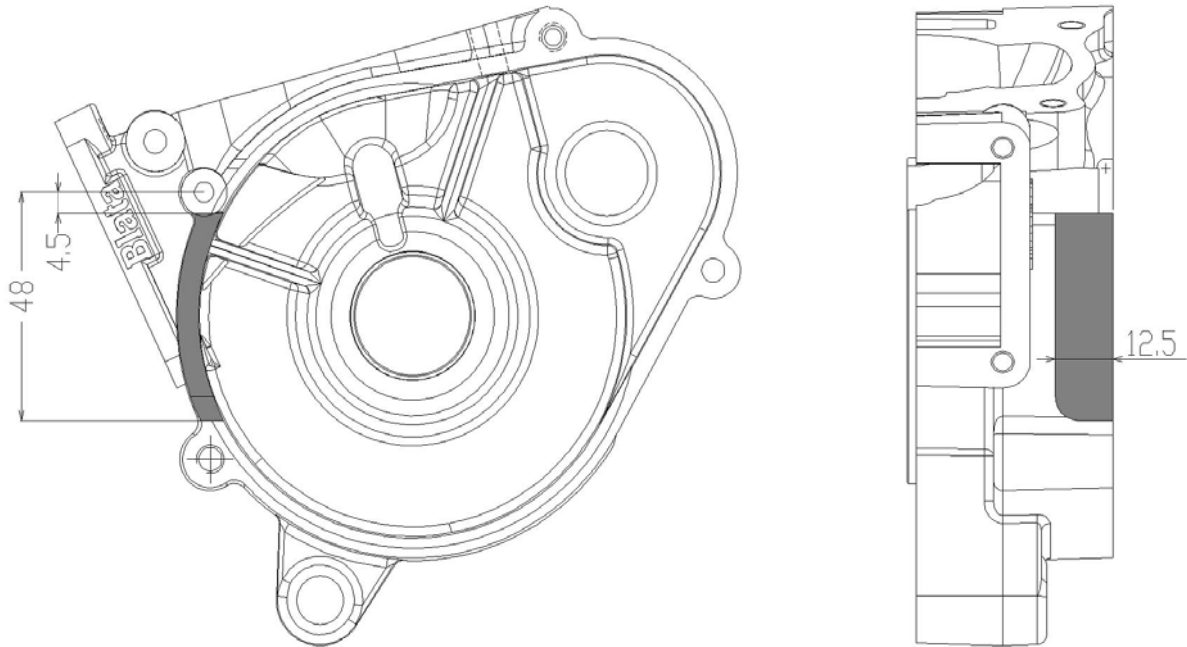


1) Cylinder block modification for Victory KIT ignition coil

- remove material from the right part of the cylinder block according to diagram, cut out paper model 1 and use the model for dimension verification.

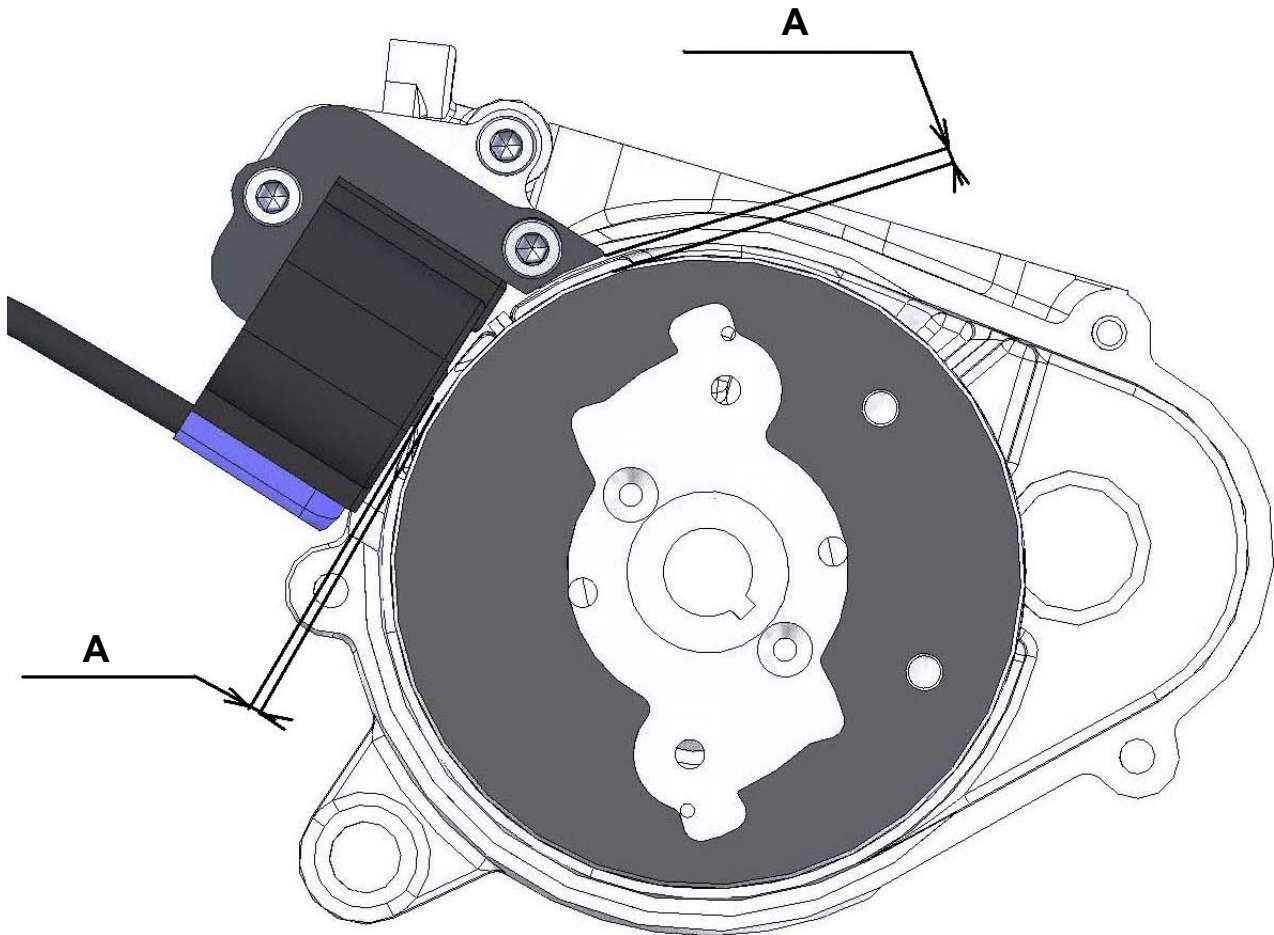


Model 1



2) Adjustment of Victory KIT ignition coil

- adjust clearance between rotor and ignition coil according to the below scheme



A – Keep the minimum clearance at value 0,25 to 0,3 mm to avoid rotor damage